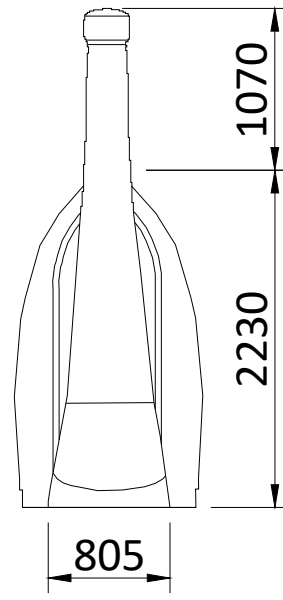
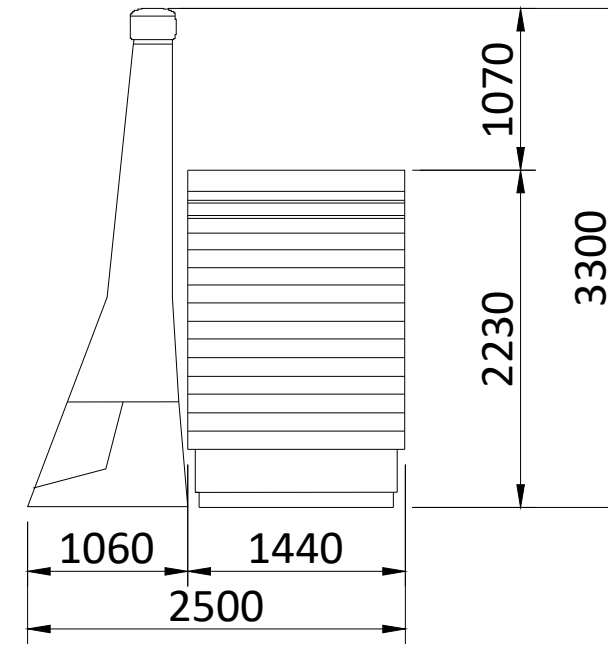


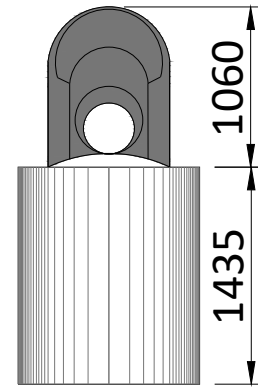
FRONT ELEVATION



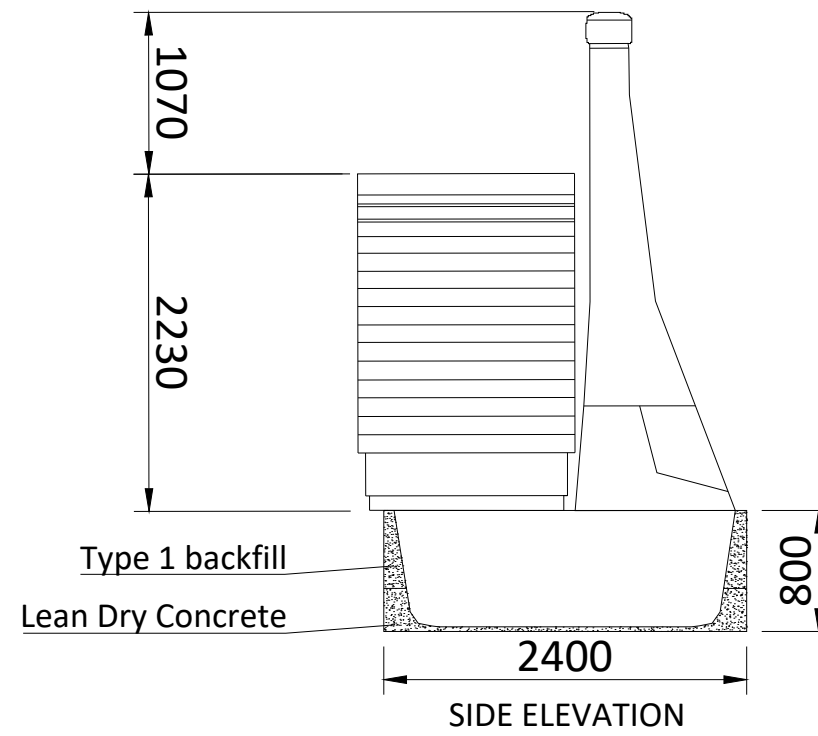
BACK ELEVATION



SIDE ELEVATION



FLOOR PLAN





SIDE ELEVATION



METERS

THIS DOCUMENT IS THE PROPERTY OF LIGHTSOURCE RENEWABLE DEVELOPMENT LTD
IT IS PROHIBITED TO REPRODUCE IT FOR OTHER PURPOSES WITHOUT AUTHORIZATION IN WRITING

GBR_EPД_Toilet_01			
DA			Nov. 2023
DRAWN	CHECKED	APPROVED	DATE
Paper Size: A3	Scale: 1:50	Sheet: 1	
DRAWING NUMBER: GBR_EPД_TLT		STATUS: Rev 01	

Lightsource Renewable Development Limited,
 7th Floor, 33 Holborn, London, EC1N 2HU
 General: +44 (0) 333 200 0755
 Web: www.lightsourcebp.com
 info@lightsourcebp.com

A3 - (420 x 297)mm